



## Reafrio Mobile Milking Machine



Electric engine



Combustion engine



[fb.com/reafrio](https://fb.com/reafrio)



[@reafrio](https://@reafrio)



[reafrio.com.br/en](https://reafrio.com.br/en)



+55 49 3664.6100

# REAFRIO MOBILE MILKING MACHINE

## ✓ Technical Features

- The Reafrio mobile milking machine is **resistant** and easy-to-handle equipment, suitable for **small herds** or for lots that need to be milked **separately** from the herd;
- Milking can be carried out anywhere as long as it has a source of electricity/combustion;
- **Easy to handle and safe** equipment, it has a vacuum unit incorporated into the structure, providing **low maintenance costs**;
- **Exclusive Reafrio belt tensioner.** A system with a side lock that does not loosen the strap;
- Available in combustion version.

Belt protector and tensioner;  
Muffler with a stretcher and valve against a coup;  
Spring-loaded vacuum regulator;  
Vacuum gauge;  
Milk Storage Bucket 45 liters;  
AISI 304 STAINLESS STEEL Milk Storage Bucket Lid;  
Trigger key.

## Combustion



### Combustion engine (stationary type)

- Engine not included;
- Installation kit (sold separately);
- Compatible with Nema engines.

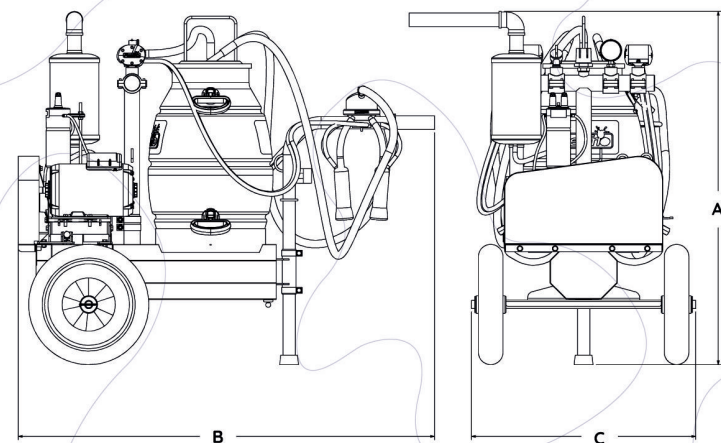
## Dimensions of the mobile milking machine

| Description   | Measure  |
|---------------|----------|
| Height (A)    | 110 (cm) |
| Length (B)    | 130 (cm) |
| Width (C)     | 70 (cm)  |
| Weight/350 L. | 90 (kg)  |
| Weight/280 L. | 83 (kg)  |

| Disassembled/Packed |         |
|---------------------|---------|
| Width (C)           | 73 (cm) |
| Length (B)          | 89 (cm) |
| Height (A)          | 53 (cm) |
| Package             | 21 (Kg) |

\*without Milk Storage Bucket

| Milk Storage Bucket |           |
|---------------------|-----------|
| Height (A)          | 55 (cm)   |
| Width (C)           | 41,4 (cm) |
| Weight              | 7 (kg)    |



## Weight

A: Total height  
B: Total length  
C: Total width



- 280-Liters;
- 1 set;
- Single-phase voltage 220 VAC;
- Power 1CV;
- Vacuum tank 20-Liters.



- 280-Liters;
- 2 sets;
- Single-phase voltage 220 VAC;
- Power 1CV;
- Vacuum tank 20-Liters.



- 350-Liters;
- 2 sets;
- Single-phase voltage 220 VAC;
- Power 1.5CV;
- Vacuum tank 20-Liters.

Technical data, configurations, and measurements are subject to change without prior notice, contact REAFRIO. Merely illustrative images. V: MAY/2023