



Milk Cooling Tank Horizontal Open



fb.com/realprio



@realprio



realprio.com.br/en



+55 49 3664.6100

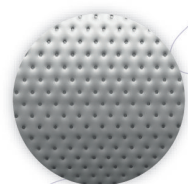
MILK COOLING TANK - HORIZONTAL OPEN



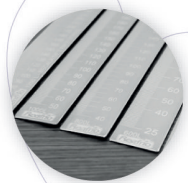
Electronic system with a digital controller through the temperature of the milk, **controls** the start and stop of the refrigeration system.



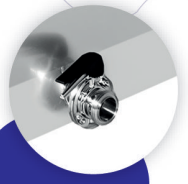
Five-year warranty on **stainless steel** components. All other items have a **one-year warranty**.



The **expansion chamber** manufactured in an automated process ensures uniform cooling.



Measurement system approved by **INMETRO**.



Stainless steel butterfly outlet valve with **SMS 2"** thread.

✓ Technical Features

- The measurement of the amount (liters) of milk is carried out with a millimeter ruler through the conversion table, approved by **INMETRO**;
- Opening with four lids for tanks over 3,000-liters, allowing access from all sides, and facilitating cleaning;
- Dimensioned to obtain the best use of the cooling unit's capacity and **lower energy consumption**;
- High-density injected **polyurethane** insulation;
- It has two internal pins, one on the front and one on the back used to fit the measuring ruler;
- External and internal wall, lid, and bottom in **stainless steel AISI 304**;
- Fixing base for the cooling tank and cold unit made of galvanized steel, with leveling feet;
- It complies with the 2 Bll and 4 Bll performance classification (and the regulations relating to its construction and operation);
- Better thermal exchange performance due to the size of the expansion chamber;
- It complies with the **N-76 and N-77** regulations.

📏 Measurements (mm)

Capacity	A	B	C	D	E	F	G	H	I
600-liters	01	01	1800	1175	1200	-	1040	1310	1500
1,000-liters	01	01	2200	1400	1370	-	1210	1480	1650
1,500-liters	01	01	2600	1400	1670	-	1370	1640	1800
2,000-liters	01	01	3100	1400	2170	-	1270	1540	1800
2,500-liters	01	01	3100	1700	2170	-	1340	1610	1800
3,000-liters	02	01	3600	1700	2670	2330	1340	1610	1800
4,000-liters	02	02	4100	1700	3070	2330	1370	1640	1900
5,000-liters	02	02	4800	1900	3850	2330	1350	1620	1900
6,000-liters	02	02	5200	1930	4180	2330	1400	1670	1900

*Height gear motor 270 mm.

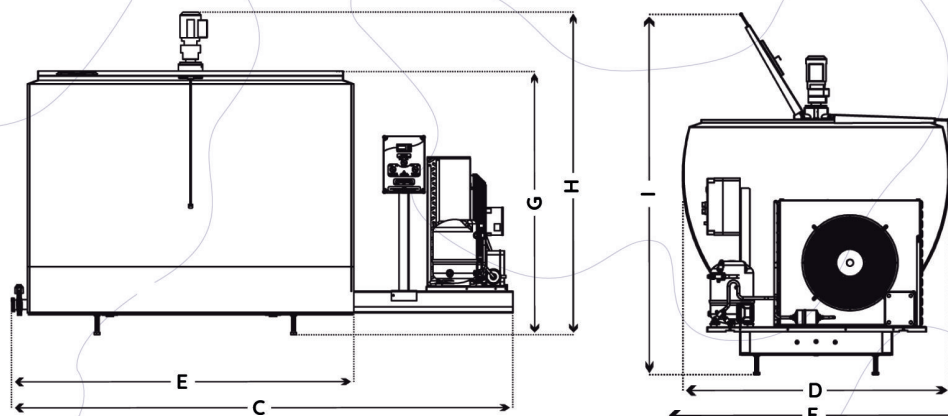
📏 Subtitle

- A:** Cooling Unit
- B:** Gear Motor
- C:** Total length with unit
- D:** Cooler Tank Width.
- E:** Cooler Tank Length

- F:** Chassis width when having two units
- G:** Closed cooler tank height
- H:** Total height of closed cooler tank
- I:** Total height of open cooler tank

⚡ Voltage

- Single-phase 220Vca
- Three-phase 220Vca
- Three-phase 380Vca



Technical data, configurations, and measurements are subject to change without prior notice, contact REAFRIO. Merely illustrative images. V: MAY/2023

